

VTL
SECTION
VENTILATION SYSTEM

A
 B
 C
 D
 E
 F
 G
 H
VTL
 J
 K
 L
 M
 N
 O
 P

CONTENTS

SYSTEM DESCRIPTION	DUCT AND GRILLE	
3	10	
SWITCHES AND THEIR CONTROL FUNCTION	Exploded View	
3	10	
WITHOUT LEFT AND RIGHT VENTILATION TEMPERATURE SEPARATELY CONTROL SYSTEM	CENTER VENTILATOR GRILLE	
3	11	
WITHOUT LEFT AND RIGHT VENTILATION TEMPERATURE SEPARATELY CONTROL SYSTEM : System Description	CENTER VENTILATOR GRILLE : Removal and Installation	
3	11	
WITH LEFT AND RIGHT VENTILATION TEMPERATURE SEPARATELY CONTROL SYSTEM	SIDE VENTILATOR GRILLE	
3	11	
WITH LEFT AND RIGHT VENTILATION TEMPERATURE SEPARATELY CONTROL SYSTEM : System Description	SIDE VENTILATOR GRILLE : Removal and Installation	
3	11	
AIR DISTRIBUTION	FRONT DEFROSTER GRILLE	
5	12	
System Description	FRONT DEFROSTER GRILLE : Removal and Installation	
5	12	
PRECAUTION	FRONT DEFROSTER NOZZLE, SIDE DEFROSTER NOZZLE AND VENTILATOR DUCT	
6	12	
PRECAUTIONS	FRONT DEFROSTER NOZZLE, SIDE DEFROSTER NOZZLE AND VENTILATOR DUCT : Removal and Installation	
6	12	
Precaution for Supplemental Restraint System (SRS) "AIR BAG" and "SEAT BELT PRE-TENSIONER"	SIDE DEFROSTER DUCT	
6	13	
Precaution Necessary for Steering Wheel Rotation after Battery Disconnect	SIDE DEFROSTER DUCT : Removal and Installation	
6	13	
PREPARATION	REAR VENTILATOR GRILLE	
8	13	
PREPARATION	REAR VENTILATOR GRILLE : Removal and Installation	
8	13	
Commercial Service Tool	REAR VENTILATOR DUCT 2	
8	13	
PERIODIC MAINTENANCE	REAR VENTILATOR DUCT 2 : Removal and Installation	
9	13	
IN-CABIN MICROFILTER	REAR FLOOR DUCT 1 (WITHOUT REAR VENTILATOR)	
9	14	
Exploded View	REAR FLOOR DUCT 1 (WITHOUT REAR VENTILATOR) : Removal and Installation	
9	14	
Removal and Installation	REAR FLOOR DUCT 1 & REAR VENTILATOR DUCT 1 (WITH REAR VENTILATOR)	
9	14	
Replacement	REAR FLOOR DUCT 1 & REAR VENTILATOR DUCT 1 (WITH REAR VENTILATOR) : Removal and Installation	
9	14	
REMOVAL AND INSTALLATION		
10		

FOOT GRILLE	14	BLOWER UNIT	17
FOOT GRILLE : Removal and Installation	14	Exploded View	17
HEATER DUCT	15	BLOWER UNIT	18
HEATER DUCT : Removal and Installation	15	BLOWER UNIT : Removal and Installation	18
FOOT DUCT	15	BLOWER MOTOR	19
FOOT DUCT : Removal and Installation	15	BLOWER MOTOR : Removal and Installation	19

SWITCHES AND THEIR CONTROL FUNCTION

< SYSTEM DESCRIPTION >

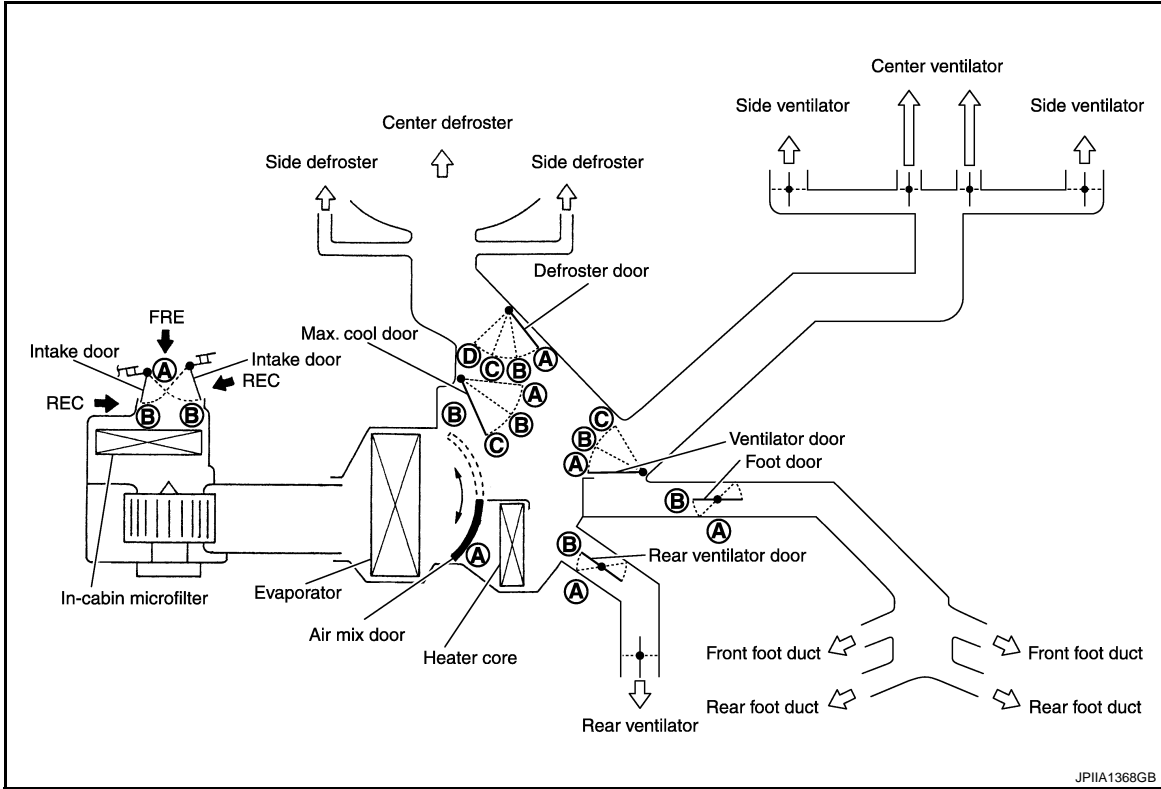
SYSTEM DESCRIPTION

SWITCHES AND THEIR CONTROL FUNCTION

WITHOUT LEFT AND RIGHT VENTILATION TEMPERATURE SEPARATELY CONTROL SYSTEM

WITHOUT LEFT AND RIGHT VENTILATION TEMPERATURE SEPARATELY CONTROL SYSTEM : System Description

INFOID:000000005630033



JPIIA1368GB

Position or switch	MODE switch				DEF switch		AUTO switch	Intake switch		Temperature control dial			OFF switch
	VENT	B/L	FOOT	D/F	ON	OFF		FRE	REC				OFF
										18°C (60°F)	↔	32°C (90°F)	OFF
Ventilator door	(A)	(B)	(C)	(C)	(C)		AUTO	—	—	—			AUTO
Max.cool door	(A)	(B)	(C)	(C)	(C)			—	—	—			
Defroster door	(D)	(D)	(C)	(B)	(A)			—	—	—			
Foot door	(B)	(B)	(B)	(B)	(A)			—	—	—			
Rear ventilator door	(B)	(B)	(B)	(B)	(A)			—	—	—			
Intake door	—			(B)	(B)			(B)*	(A)*	—			
Air mix door	—				—			—	—	(A)	AUTO	(B)	

*:Inlet status is displayed by LED when activating automatic control.

JSIA0887GB

WITH LEFT AND RIGHT VENTILATION TEMPERATURE SEPARATELY CONTROL SYSTEM

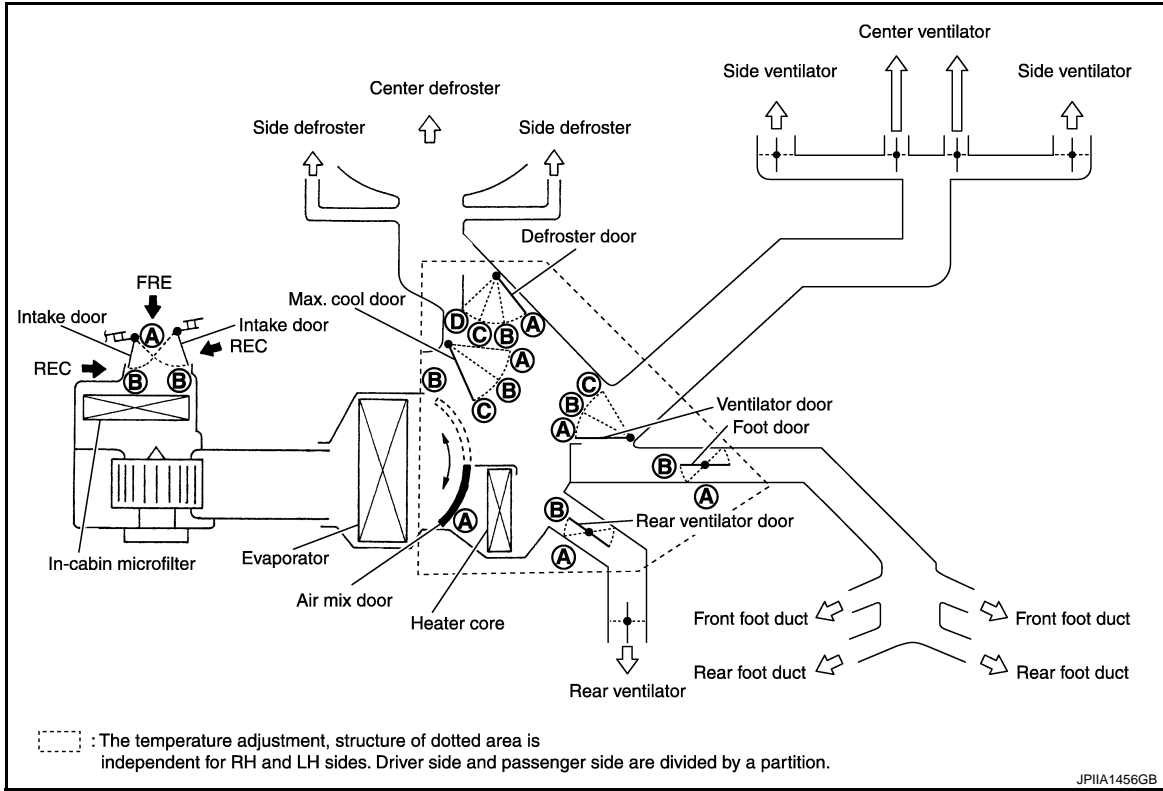
WITH LEFT AND RIGHT VENTILATION TEMPERATURE SEPARATELY CONTROL

SWITCHES AND THEIR CONTROL FUNCTION

< SYSTEM DESCRIPTION >

SYSTEM : System Description

INFOID:000000005630034



JPIIA1456GB

Position or switch	DUAL switch	MODE switch				DEF switch		AUTO switch	Intake switch		Temperature control dial(Driver side)		Temperature control dial(Passenger side)		OFF switch		
		VENT	B/L	FOOT	D/F	ON	OFF		FRE	REC						OFF	
Door											18°C (60°F)	⇄	32°C (90°F)	18°C (60°F)	⇄	32°C (90°F)	OFF
Ventilator door	—	(A)	(B)	(C)	(C)	(C)	—	AUTO	—	—	—	—	—	—	—	AUTO	
Max.cool door	—	(A)	(B)	(C)	(C)	(C)	—		—	—	—	—	—	—	—		—
Defroster door	—	(D)	(D)	(C)	(B)	(A)	—		—	—	—	—	—	—	—		—
Foot door	—	(B)	(B)	(B)	(B)	(A)	—		—	—	—	—	—	—	—		—
Rear ventilator door	—	(B)	(B)	(B)	(B)	(A)	—		—	—	—	—	—	—	—		—
Intake door	—	—				(B)	(B)	—	(B)*	(A)*	—	—	—	—	—	—	
Air mix door (Driver side)	—	—				—	—	—	—	—	(A)	AUTO	(B)	—	—	—	
Air mix door (Passenger side)	ON	—				—	—	—	—	—	—	—	(A)	AUTO	(B)	—	
	OFF	—				—	—	—	—	—	(A)	AUTO	(B)	—	—	—	

*: Inlet status is displayed by LED when activating automatic control.

JSIIA0886GB

AIR DISTRIBUTION






< SYSTEM DESCRIPTION >

AIR DISTRIBUTION

System Description






INFOID:000000005630035

WITHOUT REAR VENTILATOR

Discharge air flow					
Mode position indication	Condition	Air outlet/distribution			
		VENT	FOOT		DEF
			Front	Rear	
	DUAL switch: OFF*	100%	—	—	—
		53%	29%	18%	—
		11%	39%	24%	26%
		9%	33%	21%	37%
		16%	—	—	84%

*: With left and right ventilation temperature separately control system.

WITH REAR VENTILATOR

Discharge air flow						
Mode position indication	Condition	Air outlet/distribution				DEF
		VENT		FOOT		
		Front	Rear	Front	Rear	
	DUAL switch: OFF* Rear ventilator: OPEN	88%	12%	—	—	—
		49%	10%	25%	16%	—
		10%	12%	33%	22%	23%
		9%	11%	29%	18%	33%
		15%	—	—	—	85%

*: With left and right ventilation temperature separately control system.

A
B
C
D
E
F
G
H
VTL
J
K
L
M
N
O
P

PRECAUTIONS

< PRECAUTION >

PRECAUTION

PRECAUTIONS

Precaution for Supplemental Restraint System (SRS) "AIR BAG" and "SEAT BELT PRE-TENSIONER"

INFOID:000000005630036

The Supplemental Restraint System such as "AIR BAG" and "SEAT BELT PRE-TENSIONER", used along with a front seat belt, helps to reduce the risk or severity of injury to the driver and front passenger for certain types of collision. This system includes seat belt switch inputs and dual stage front air bag modules. The SRS system uses the seat belt switches to determine the front air bag deployment, and may only deploy one front air bag, depending on the severity of a collision and whether the front occupants are belted or unbelted. Information necessary to service the system safely is included in the "SRS AIR BAG" and "SEAT BELT" of this Service Manual.

WARNING:

- To avoid rendering the SRS inoperative, which could increase the risk of personal injury or death in the event of a collision which would result in air bag inflation, all maintenance must be performed by an authorized NISSAN/INFINITI dealer.
- Improper maintenance, including incorrect removal and installation of the SRS, can lead to personal injury caused by unintentional activation of the system. For removal of Spiral Cable and Air Bag Module, see the "SRS AIR BAG".
- Do not use electrical test equipment on any circuit related to the SRS unless instructed to in this Service Manual. SRS wiring harnesses can be identified by yellow and/or orange harnesses or harness connectors.

PRECAUTIONS WHEN USING POWER TOOLS (AIR OR ELECTRIC) AND HAMMERS

WARNING:

- When working near the Air Bag Diagnosis Sensor Unit or other Air Bag System sensors with the ignition ON or engine running, DO NOT use air or electric power tools or strike near the sensor(s) with a hammer. Heavy vibration could activate the sensor(s) and deploy the air bag(s), possibly causing serious injury.
- When using air or electric power tools or hammers, always switch the ignition OFF, disconnect the battery, and wait at least 3 minutes before performing any service.

Precaution Necessary for Steering Wheel Rotation after Battery Disconnect

INFOID:000000005630037

NOTE:

- Before removing and installing any control units, first turn the push-button ignition switch to the LOCK position, then disconnect both battery cables.
- After finishing work, confirm that all control unit connectors are connected properly, then re-connect both battery cables.
- Always use CONSULT-III to perform self-diagnosis as a part of each function inspection after finishing work. If a DTC is detected, perform trouble diagnosis according to self-diagnosis results.

For vehicle with steering lock unit, if the battery is disconnected or discharged, the steering wheel will lock and cannot be turned.

If turning the steering wheel is required with the battery disconnected or discharged, follow the operation procedure below before starting the repair operation.

OPERATION PROCEDURE

1. Connect both battery cables.

NOTE:

Supply power using jumper cables if battery is discharged.

2. Turn the push-button ignition switch to ACC position.
(At this time, the steering lock will be released.)
3. Disconnect both battery cables. The steering lock will remain released with both battery cables disconnected and the steering wheel can be turned.
4. Perform the necessary repair operation.

PRECAUTIONS

< PRECAUTION >

5. When the repair work is completed, re-connect both battery cables. With the brake pedal released, turn the push-button ignition switch from ACC position to ON position, then to LOCK position. (The steering wheel will lock when the push-button ignition switch is turned to LOCK position.)
6. Perform self-diagnosis check of all control units using CONSULT-III.

A
B
C
D
E
F
G
H
J
K
L
M
N
O
P

VTL

PREPARATION

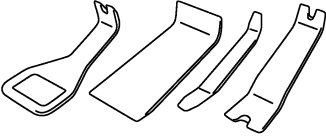
< PREPARATION >

PREPARATION

PREPARATION

Commercial Service Tool

INFOID:000000005630038

Tool name	Description
<p data-bbox="162 514 300 546">Remover tool</p>  <p data-bbox="868 630 933 651">PIIB7923J</p>	<p data-bbox="1079 514 1404 546">Remove clips, pawls, metal clips</p>

IN-CABIN MICROFILTER

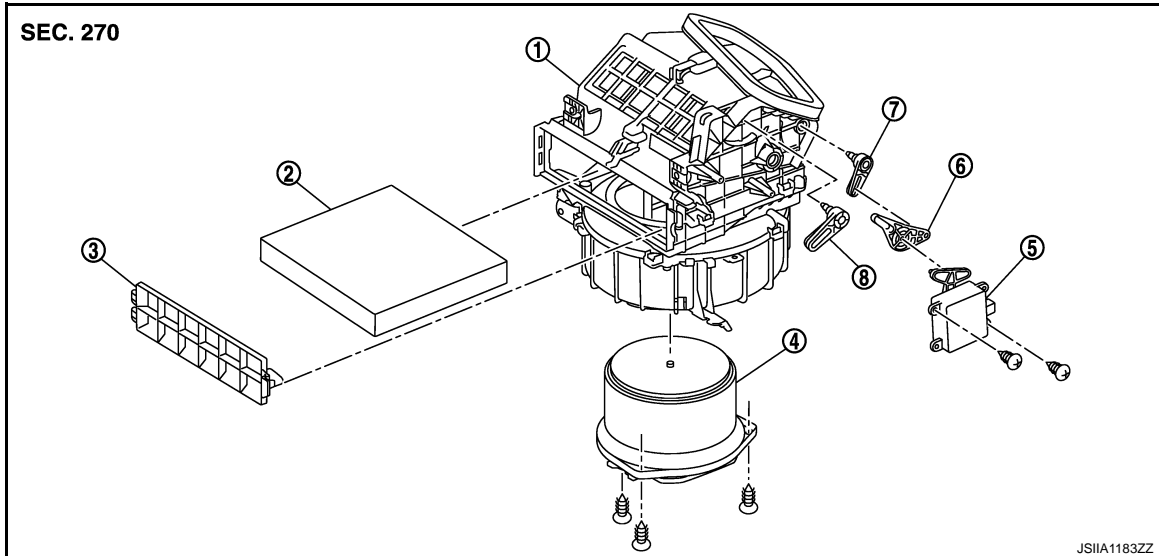
< PERIODIC MAINTENANCE >

PERIODIC MAINTENANCE

IN-CABIN MICROFILTER

Exploded View

INFOID:000000005630039



- | | | |
|--------------------------|-------------------------|---------------------|
| 1. Blower unit | 2. In-cabin microfilter | 3. Filter cover |
| 4. Blower motor assembly | 5. Intake door motor | 6. Intake door link |
| 7. Intake door lever 1 | 8. Intake door lever 2 | |

Removal and Installation

INFOID:000000005630040

REMOVAL

1. Remove instrument lower panel RH. Refer to [IP-12, "A/T MODELS : Exploded View"](#).
2. Remove filter cover, and then remove in-cabin microfilter.

INSTALLATION

Installation is basically the reverse order of removal.

CAUTION:

- If the filter is deformed/damaged when removing, replace it with a new one. Deformed/damaged filter may deteriorate the duct collecting performance.
- When installing, handle the filter with extreme care to avoid deforming/damaging.

Replacement

INFOID:000000005630041

Replace in-cabin microfilter.
Refer to [MA-6, "Schedule 1"](#) and [MA-8, "Schedule 2"](#).
Affix a caution label inside the glove box when replacing filter.

A
B
C
D
E
F
G
H
J
K
L
M
N
O
P

VTL

DUCT AND GRILLE

< REMOVAL AND INSTALLATION >

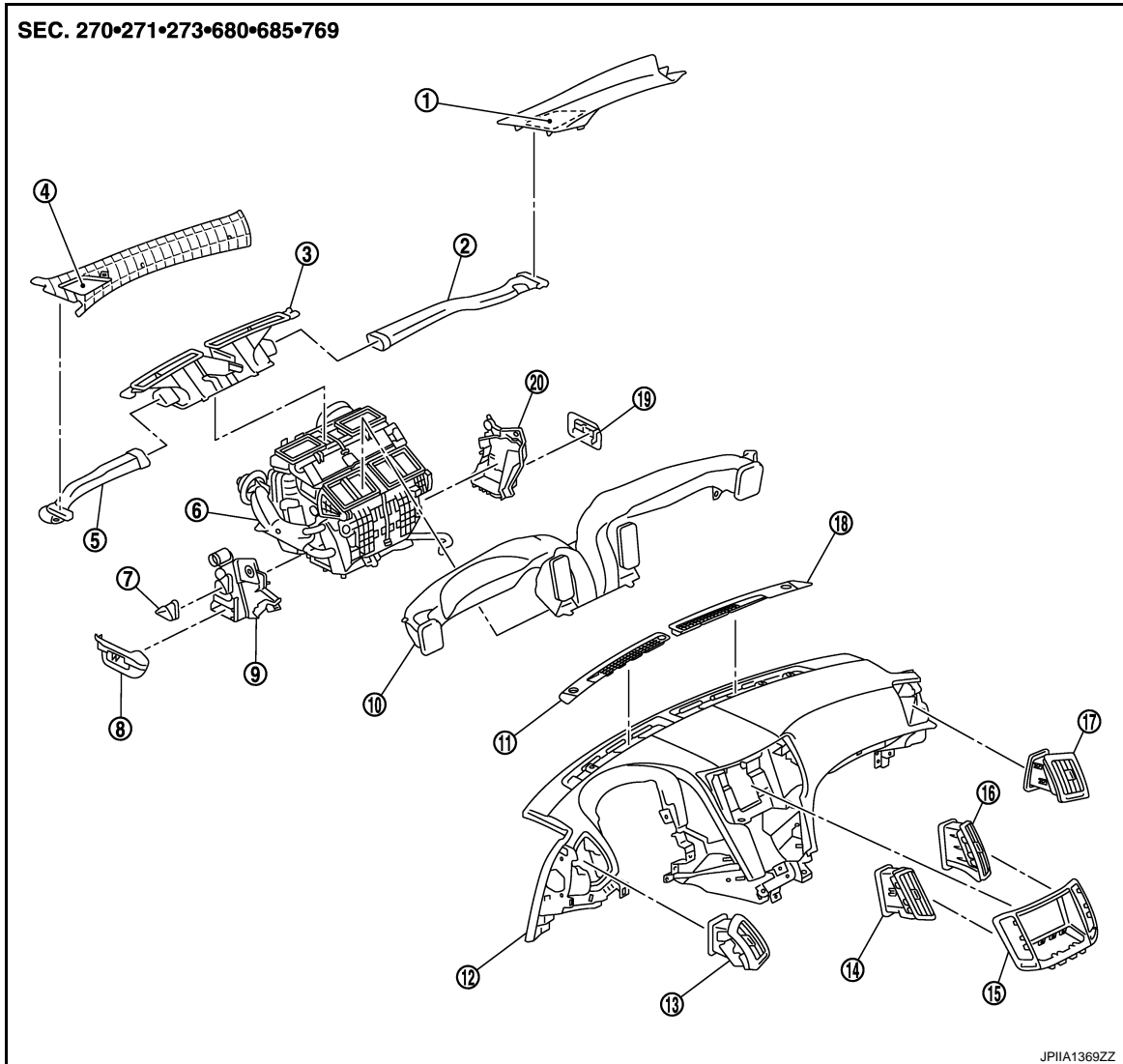
REMOVAL AND INSTALLATION

DUCT AND GRILLE

Exploded View

INFOID:000000005630042

FRONT

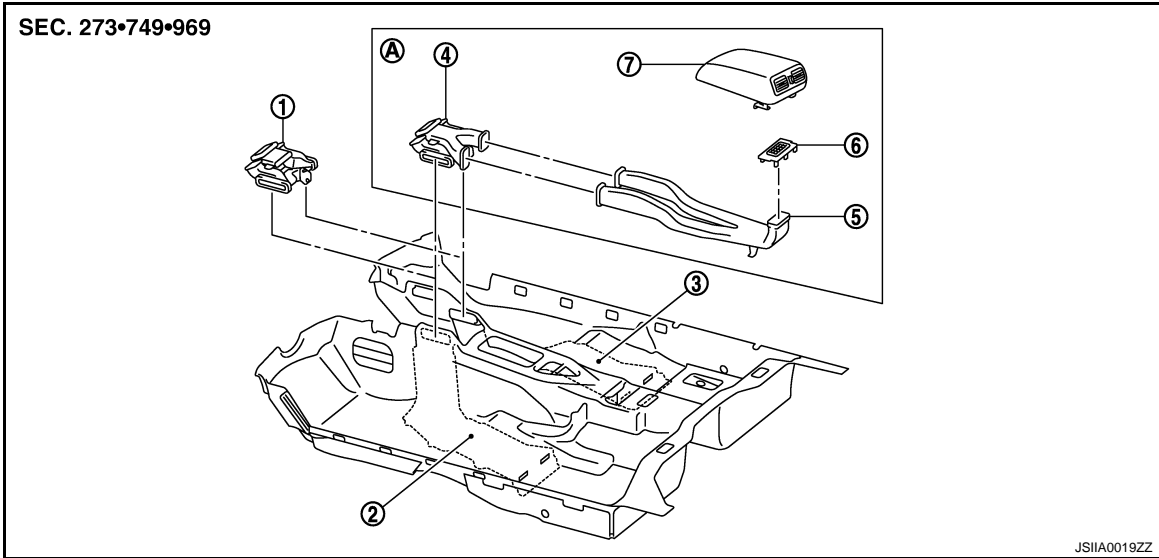


- | | | |
|---|-------------------------------------|------------------------------------|
| 1. Side defroster duct (front pillar garnish) (right) | 2. Side defroster nozzle (right) | 3. Defroster nozzle |
| 4. Side defroster duct (front pillar garnish) (left) | 5. Side defroster nozzle (left) | 6. Heater & cooling unit assembly |
| 7. Heater duct | 8. Foot grille (left) | 9. Foot duct (left) |
| 10. Ventilator duct | 11. Front defroster grille (left) | 12. Instrument panel assembly |
| 13. Side ventilator grille (left) | 14. Center ventilator grille (left) | 15. Cluster lid D |
| 16. Center ventilator grille (right) | 17. Side ventilator grille (right) | 18. Front defroster grille (right) |
| 19. Foot grille (right) | 20. Foot duct (right) | |

REAR

DUCT AND GRILLE

< REMOVAL AND INSTALLATION >



- | | | |
|--|-----------------------------|------------------------------|
| 1. Rear floor duct 1 (without rear ventilator) | 2. Rear floor duct 2 (left) | 3. Rear floor duct 2 (right) |
| 4. Rear floor duct 1 & rear ventilator duct 1 | 5. Rear ventilator duct 2 | 6. Console mask |
| 7. Rear ventilator grille (Console lid assembly) | | |
| A. With rear ventilator | | |

CENTER VENTILATOR GRILLE

CENTER VENTILATOR GRILLE : Removal and Installation

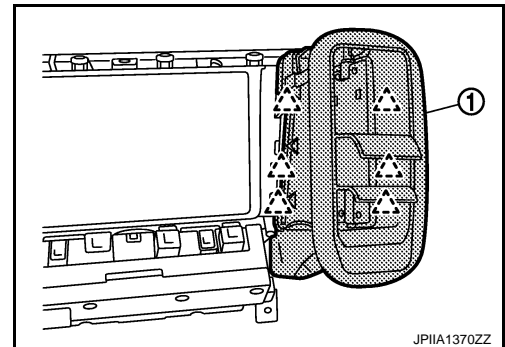
INFOID:0000000005630043

REMOVAL

1. Remove cluster lid D. Refer to [IP-12, "A/T MODELS : Exploded View"](#).
2. Disengage the pawls, and then remove center ventilator grille (1).



: pawl



INSTALLATION

Installation is basically the reverse order of removal.

SIDE VENTILATOR GRILLE

SIDE VENTILATOR GRILLE : Removal and Installation

INFOID:0000000005630044

REMOVAL

1. Remove the instrument side finisher. Refer to [IP-12, "A/T MODELS : Exploded View"](#).

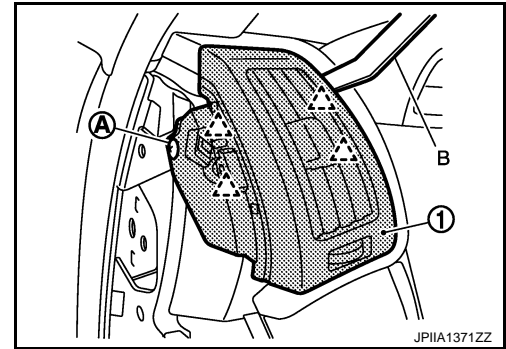
DUCT AND GRILLE

< REMOVAL AND INSTALLATION >

2. Remove the mounting screw (A).
3. Remove side ventilator grille pawls using remover tool (B), and then remove side ventilator grille (1).



: pawl



INSTALLATION

Installation is basically the reverse order of removal.

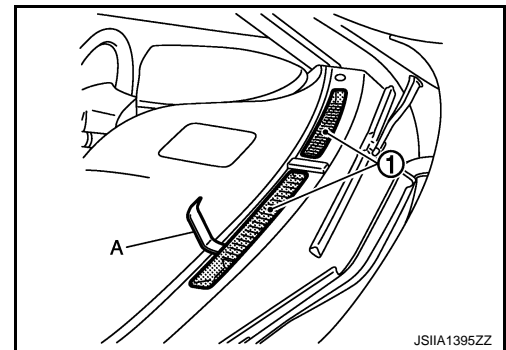
FRONT DEFROSTER GRILLE

FRONT DEFROSTER GRILLE : Removal and Installation

INFOID:000000005630045

REMOVAL

Remove front defroster grilles (1), using remover tools (A).



INSTALLATION

Installation is basically the reverse order of removal.

FRONT DEFROSTER NOZZLE, SIDE DEFROSTER NOZZLE AND VENTILATOR DUCT

FRONT DEFROSTER NOZZLE, SIDE DEFROSTER NOZZLE AND VENTILATOR DUCT : Removal and Installation

INFOID:000000005630046

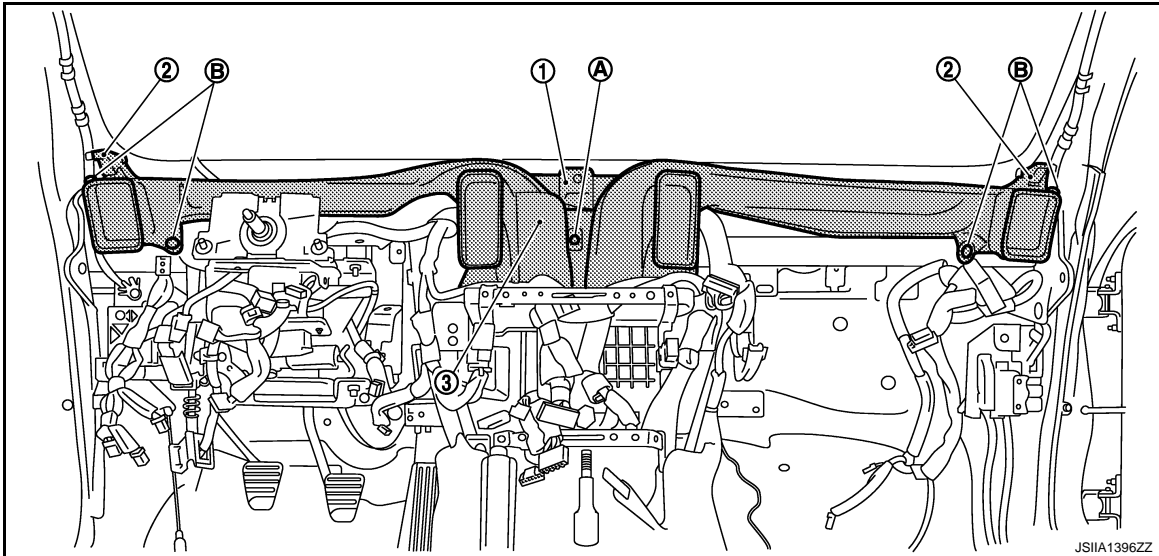
REMOVAL

1. Remove instrument panel assembly. Refer to [IP-12, "A/T MODELS : Exploded View"](#).

DUCT AND GRILLE

< REMOVAL AND INSTALLATION >

2. Remove mounting screw (A).



3. Remove clips (B), and then remove defroster nozzle (1), side defroster nozzle (2) and ventilator duct (3).

INSTALLATION

Installation is basically the reverse order of removal.

SIDE DEFROSTER DUCT

SIDE DEFROSTER DUCT : Removal and Installation

INFOID:0000000005630047

REMOVAL

Remove front pillar garnish. Refer to [INT-15, "Exploded View"](#).

INSTALLATION

Installation is basically the reverse order of removal.

REAR VENTILATOR GRILLE

REAR VENTILATOR GRILLE : Removal and Installation

INFOID:0000000005630048

REMOVAL

Remove console rear finisher. Refer to [IP-33, "A/T MODELS : Exploded View"](#).

INSTALLATION

Installation is basically the reverse order of removal.

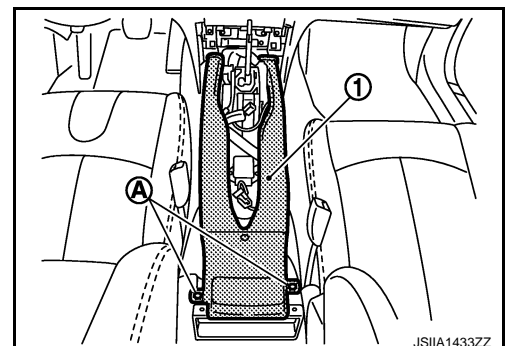
REAR VENTILATOR DUCT 2

REAR VENTILATOR DUCT 2 : Removal and Installation

INFOID:0000000005630049

REMOVAL

1. Remove center console assembly. Refer to [IP-33, "A/T MODELS : Exploded View"](#).
2. Remove mounting screws (A), and then remove rear ventilator duct 2 (1).



A
B
C
D
E
F
G
H
VTL
J
K
L
M
N
O
P

DUCT AND GRILLE

< REMOVAL AND INSTALLATION >

INSTALLATION

Installation is basically the reverse order of removal.

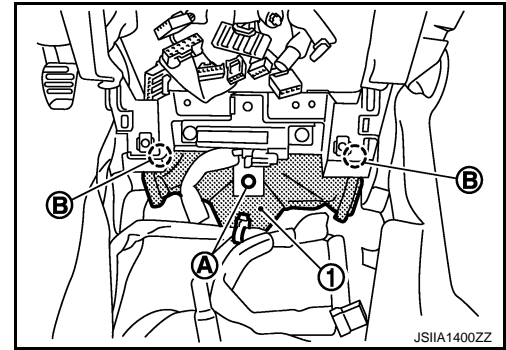
REAR FLOOR DUCT 1 (WITHOUT REAR VENTILATOR)

REAR FLOOR DUCT 1 (WITHOUT REAR VENTILATOR) : Removal and Installation

INFOID:000000005630050

REMOVAL

1. Remove center console assembly. Refer to [JP-33, "A/T MODELS : Exploded View"](#).
2. Remove Instrument side panel RH. Refer to [IP-12, "A/T MODELS : Exploded View"](#).
3. Remove AV control unit. Refer to [AV-90, "Exploded View"](#) (BASE AUDIO WITHOUT REAR VIEW CAMERA), [AV-202, "Exploded View"](#) (BASE AUDIO WITH REAR VIEW CAMERA), [AV-328, "Exploded View"](#) (BOSE AUDIO WITHOUT NAVIGATION), or audio unit [AV-474, "Exploded View"](#) (BOSE AUDIO WITH NAVIGATION).
4. Remove mounting clip (A).
5. Remove mounting clips (B), and then peel back floor carpet to a point where rear floor duct 1 (1) is visible.
6. Remove rear floor duct 1 to rightward.



INSTALLATION

Installation is basically the reverse order of removal.

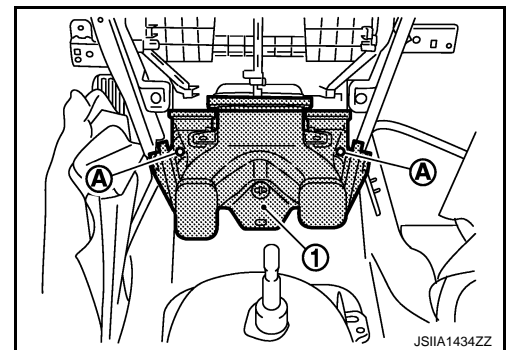
REAR FLOOR DUCT 1 & REAR VENTILATOR DUCT 1 (WITH REAR VENTILATOR)

REAR FLOOR DUCT 1 & REAR VENTILATOR DUCT 1 (WITH REAR VENTILATOR) : Removal and Installation

INFOID:000000005630051

REMOVAL

1. Remove instrument panel assembly. Refer to [IP-12, "A/T MODELS : Exploded View"](#).
2. Remove mounting clip (A), and then remove rear floor duct 1 (1).



INSTALLATION

Installation is basically the reverse order of removal.

FOOT GRILLE

FOOT GRILLE : Removal and Installation

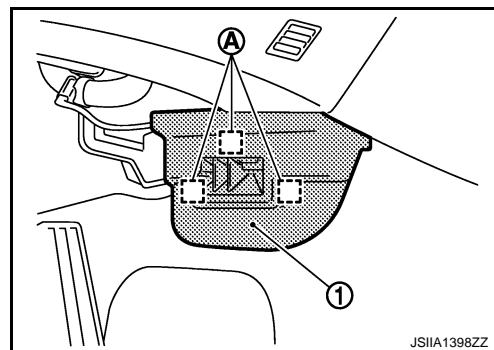
INFOID:000000005630052

REMOVAL

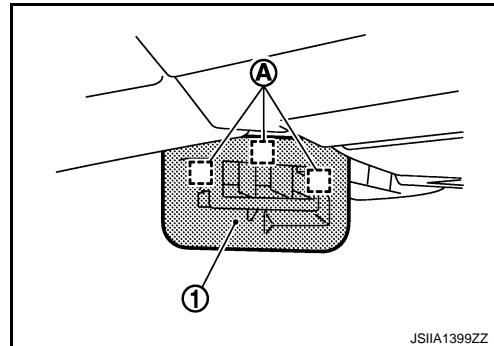
DUCT AND GRILLE

< REMOVAL AND INSTALLATION >

1. Remove mounting clips (A), and then remove foot grille (left) (1).



2. Remove mounting clips (A), and then remove foot grille (right) (1).



INSTALLATION

Installation is basically the reverse order of removal.

HEATER DUCT

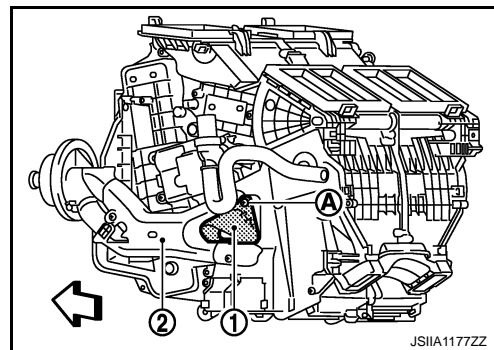
HEATER DUCT : Removal and Installation

INFOID:000000005630053

REMOVAL

Remove mounting screw (A), and then remove heater duct (1) from heater & cooling unit assembly (2).

← : Vehicle front



INSTALLATION

Installation is basically the reverse order of removal.

FOOT DUCT

FOOT DUCT : Removal and Installation

INFOID:000000005630054

REMOVAL

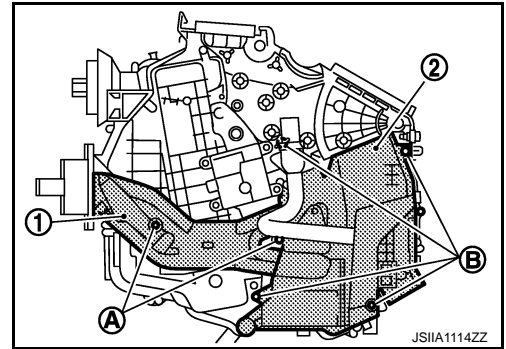
Driver Side

1. Remove heater & cooling unit assembly. Refer to [HA-49, "Exploded View"](#).

DUCT AND GRILLE

< REMOVAL AND INSTALLATION >

2. Remove mounting screws (A), and then remove heater pipe cover (1).
3. Remove mounting screws (B), and then remove foot duct (left) (2).



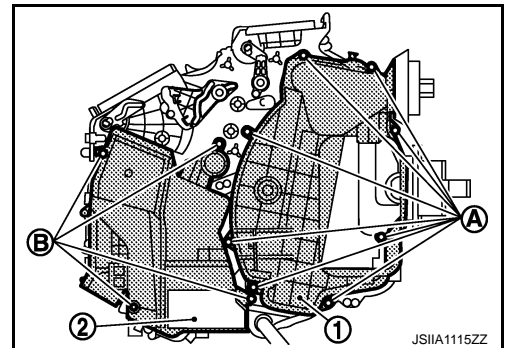
Passenger Side

1. Set the temperature at 18.0°C (60°F).

CAUTION:

The angle may be out, when installing the air mix door motor to the air mix door, unless the above procedure is performed.

2. Disconnect the battery cable from the negative terminal.
3. Remove heater & cooling unit assembly. Refer to [HA-49, "Exploded View"](#).
4. Remove air mix door motor (passenger side). Refer to [HAC-160, "Exploded View"](#).
5. Remove mode door motor and links. Refer to [HAC-160, "Exploded View"](#).
6. Remove mounting screws (A), and then remove evaporator cover (1).
7. Remove mounting screws (B), and then remove foot duct (right) (2).



INSTALLATION

Installation is basically the reverse order of removal.

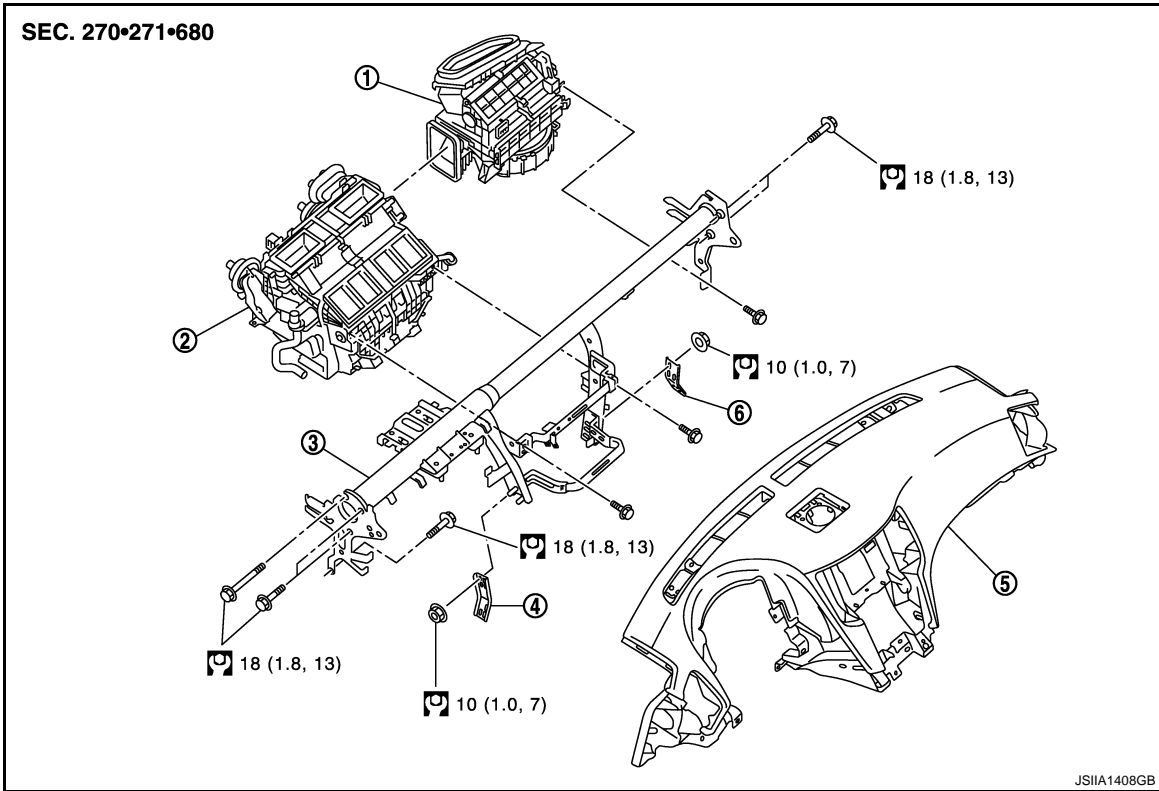
BLOWER UNIT

< REMOVAL AND INSTALLATION >

BLOWER UNIT

Exploded View

INFOID:000000005630055



- | | | |
|---------------------------|-----------------------------------|----------------------------|
| 1. Blower unit | 2. Heater & cooling unit assembly | 3. Steering member |
| 4. Instrument stay (left) | 5. Instrument panel assembly | 6. Instrument stay (right) |

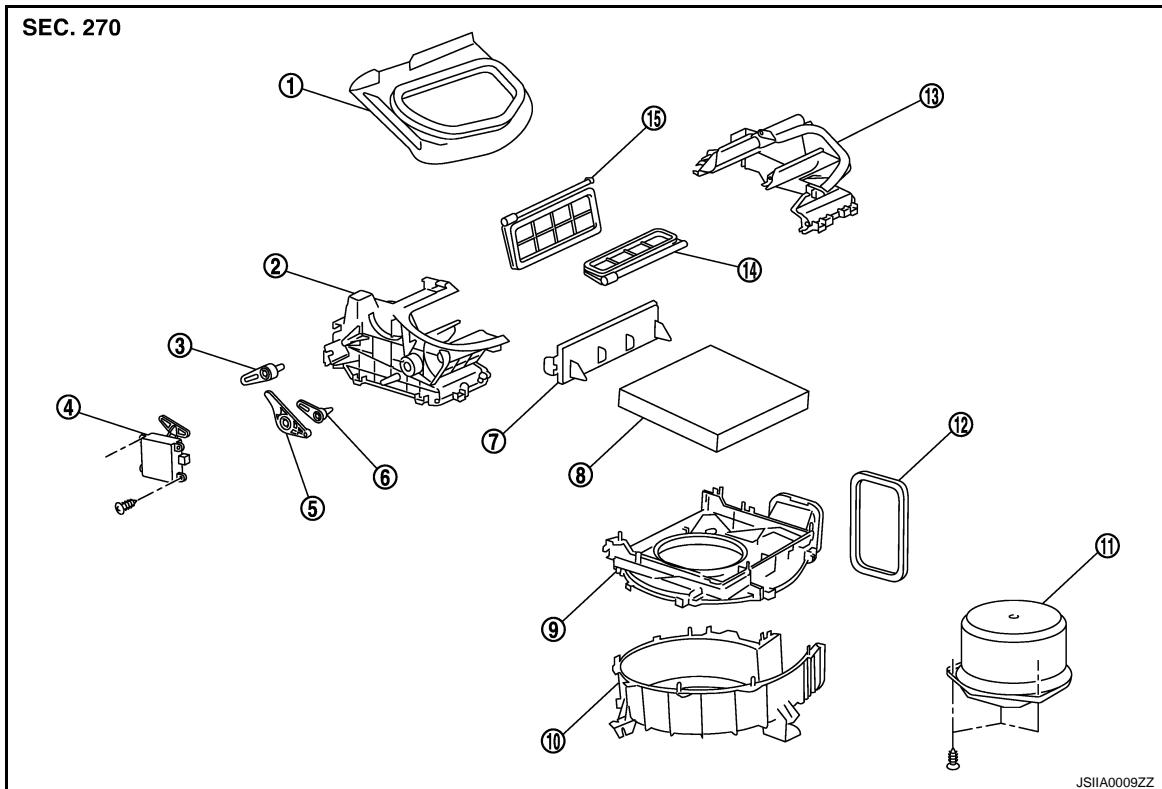
Refer to [GI-4. "Components"](#) for symbols in the figure.

DISASSEMBLY

A
B
C
D
E
F
G
H
VTL
J
K
L
M
N
O
P

BLOWER UNIT

< REMOVAL AND INSTALLATION >



- | | | |
|-----------------------|---------------------------|------------------------|
| 1. Adapter | 2. Intake box (right) | 3. Intake door lever 2 |
| 4. Intake door motor | 5. Intake door link | 6. Intake door lever 1 |
| 7. Filter cover | 8. In-cabin microfilter | 9. Intake upper case |
| 10. Intake lower case | 11. Blower motor assembly | 12. Seal |
| 13. Intake box (left) | 14. Intake door 1 | 15. Intake door 2 |

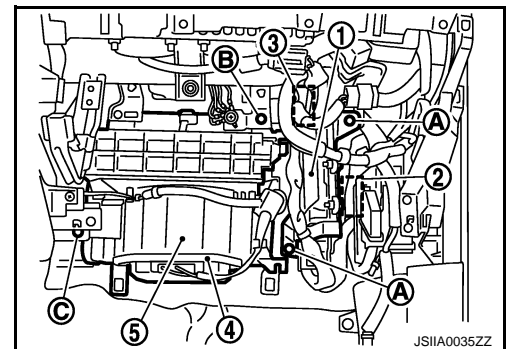
BLOWER UNIT

BLOWER UNIT : Removal and Installation

INFOID:000000005630056

REMOVAL

1. Remove instrument lower panel RH. Refer to [IP-12. "A/T MODELS : Exploded View"](#).
2. Disconnect ECM (1) connectors.
3. Disconnect AWD control unit (2) connector (AWD models).
4. Remove mounting nuts (A), and then remove ECM with bracket attached.
5. Remove power steering control unit (WITHOUT 4WAS). Refer to [STC-26. "Exploded View"](#).
6. Disconnect intake door motor (3) connector and blower motor (4) connector.
7. Remove mounting bolt (B) and screw (C), from blower unit (5).
8. Remove blower unit.



CAUTION:

Move blower unit rightward, and remove locating pin (1 part) and joint. Then remove blower unit downward.

INSTALLATION

Installation is basically the reverse order of removal.

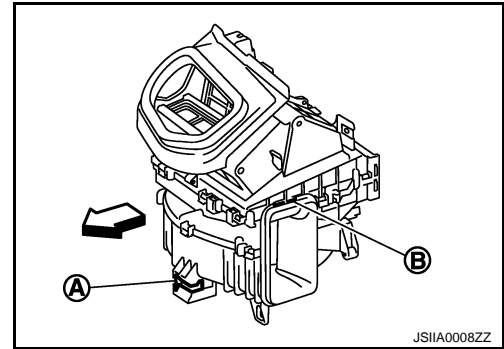
BLOWER UNIT

< REMOVAL AND INSTALLATION >

←: Vehicle front

CAUTION:

Check locating pin (A) and joint (B) are securely inserted.



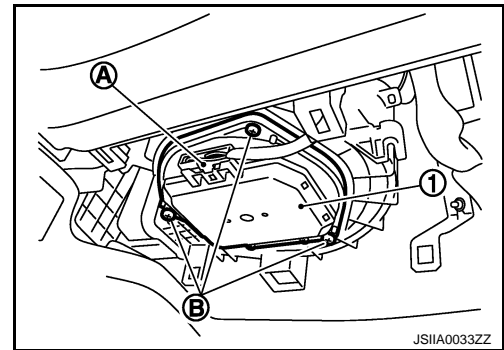
BLOWER MOTOR

BLOWER MOTOR : Removal and Installation

INFOID:0000000005630057

REMOVAL

1. Remove instrument lower cover. Refer to [IP-12, "A/T MODELS : Exploded View"](#).
2. Disconnect blower motor connector (A).
3. Remove mounting screws (B), and then remove blower motor assembly (1).



INSTALLATION

Installation is basically the reverse order of removal.

A
B
C
D
E
F
G
H
VTL
J
K
L
M
N
O
P